

(EL) 型条形连接器

Pressure Welding Bar Connector



间距 Pitch: 4.5mm(.177")



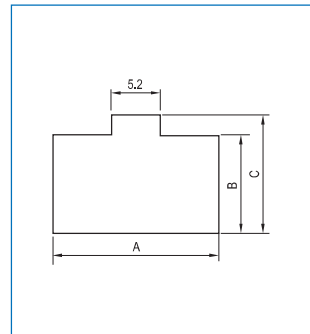
技术参数 Specifications

- 线数 Poles: 2、3、4、6、9、12、15
- 适用线规 Applicable wires: AWG28#~18#
- 适应基板厚度 Applicable PC board thickness: 1.6~2.0mm
- 温度范围 Temperature range: -25℃~85℃
- 额定电压 Voltage rating: 300V.Ac/Dc
- 额定电流 Current rating: 10~6A
- 接触电阻 Contact resistance: $\leq 0.015\Omega$
- 绝缘电阻 Insulation resistance: $\geq 1000M\Omega$
- 耐压 Withstand voltage: 1500V.Ac/1min
- 材料 Material:
 - 插头 Plug housing: 尼龙(PA66) UL94V-0(2)
 - 插座 Receptacle housing: 尼龙(PA66) UL94V-0(2)
 - 插片 Retainer: 尼龙(PA66) UL94V-2
 - 端子 Terminal: 磷青铜 Phos.bronze Tin/plated

端子 Terminal

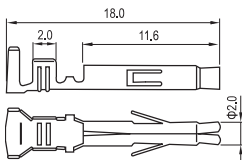
型号 Type	适用线规 Applicable wires		电线外径 O.D of wire ins
	mm ²	AWG#	mm
EL-01PT	0.09~0.22	28~24	0.9~1.5
EL-01RT	0.09~0.22	28~24	0.9~1.5
EL-21PT	0.25~0.75	22~18	1.6~2.8
EL-21RT	0.25~0.75	22~18	1.6~2.8

安装尺寸 Mounting Measurement

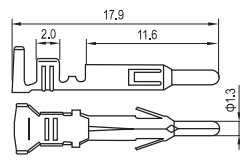


线数 Poles	型号 Type	尺寸 Dimensions(mm)		
		A	B	C
2	EL-2R	15.0	6.0	6.85
3	EL-3R	19.7	6.0	6.85
4(1x4)	EL-4R	24.2	6.0	6.85
4(2x2)	EL-4RN	15.6	10.6	11.6
6	EL-6R	19.7	10.6	11.6
9	EL-9R	19.7	14.8	15.7
12	EL-12R	24.2	14.8	15.7
15	EL-15R	28.7	14.8	15.7

EL-01PT, EL-21PT



EL-01RT, EL-21RT



线数 Poles	额定电压 Voltage rating	额定电流 Current rating	插头 Plug housing	插座 Receptacle housing	插片 Retainer
2	300V	10A	EL-2P	EL-2R	EL-2S
3	300V	10A	EL-3P	EL-3R	EL-3S

(EL) 型条形连接器

Pressure Welding Bar Connector

线数 Poles	额定电压 Voltage rating	额定电流 Current rating	插头 Plug housing	插座 Receptacle housing	插片 Retainer
3	300V	10A	<p>EL-3P</p>	<p>EL-3RF</p>	<p>EL-3S</p>
4	300V	10A	<p>EL-4P</p>	<p>EL-4R</p>	<p>EL-3S</p>
4	300V	10A	<p>EL-4PN</p>	<p>EL-4RN</p>	<p>EL-2S</p>
6	300V	8A	<p>EL-6P</p>	<p>EL-6R</p>	<p>EL-3S</p>
9	300V	6A	<p>EL-9P</p>	<p>EL-9R</p>	<p>EL-3S</p>
12	300V	6A	<p>EL-12P</p>	<p>EL-12R</p>	<p>EL-3S</p>
15	300V	6A	<p>EL-15P</p>	<p>EL-15R</p>	<p>EL-3S</p>